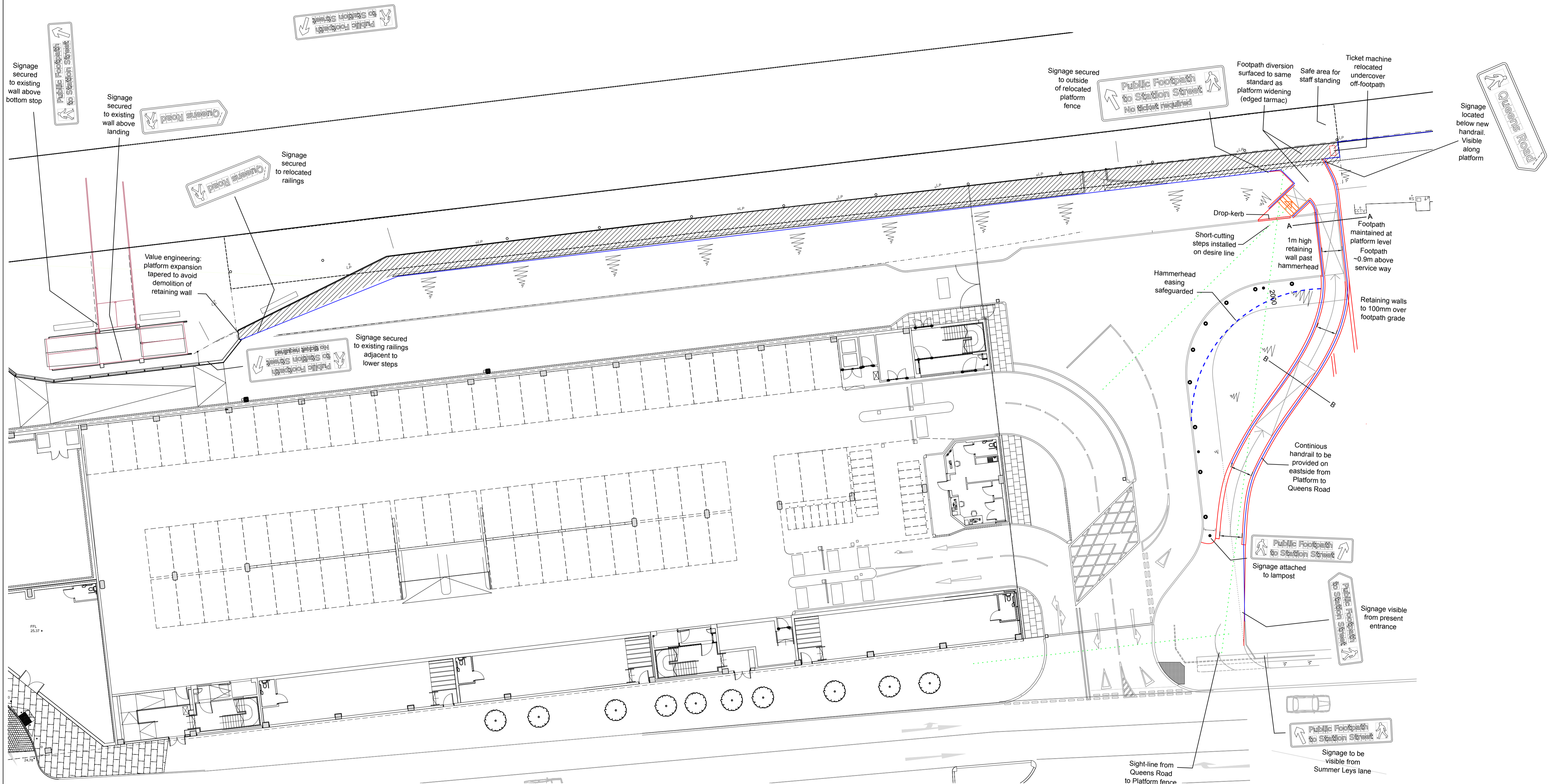
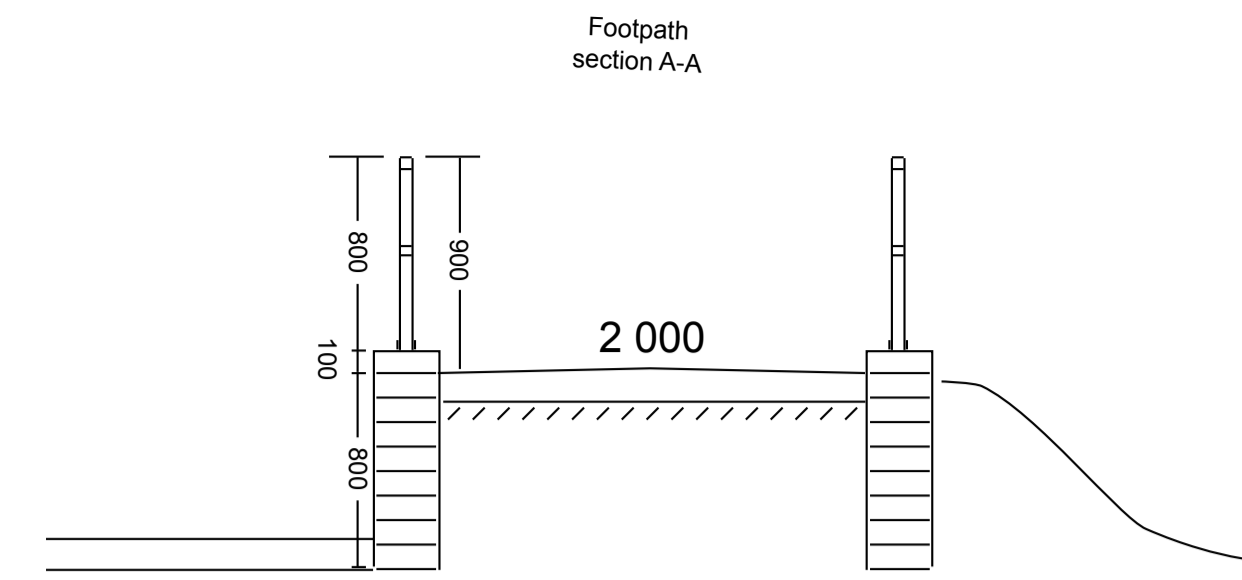
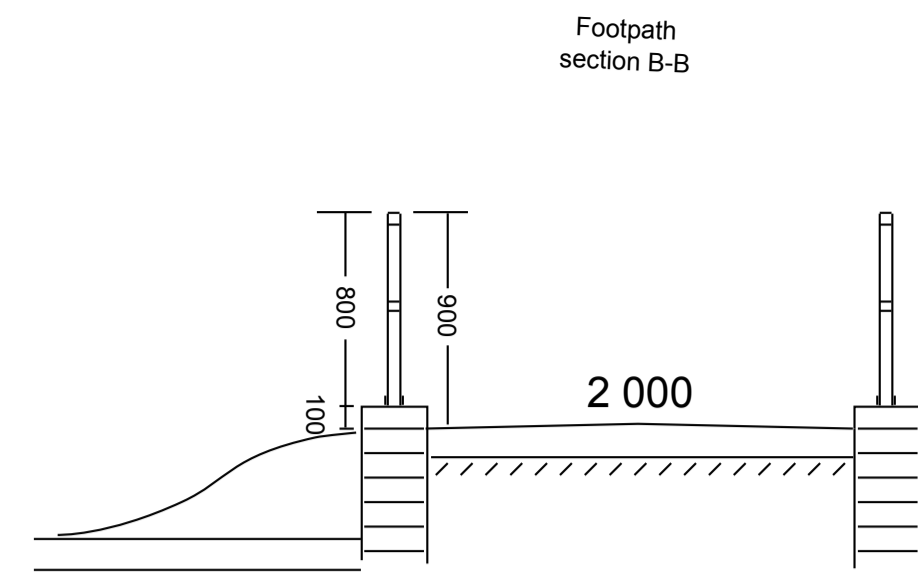


Footpath 28

Sections



Legend

EXISTING PLATFORM BEING EXTENDED IN WIDTH BY 1.8m

SCALE: 1:1000 @ A3 1:1414 @ A4

